

CH-1300 Series Environmental Housing & Mounts



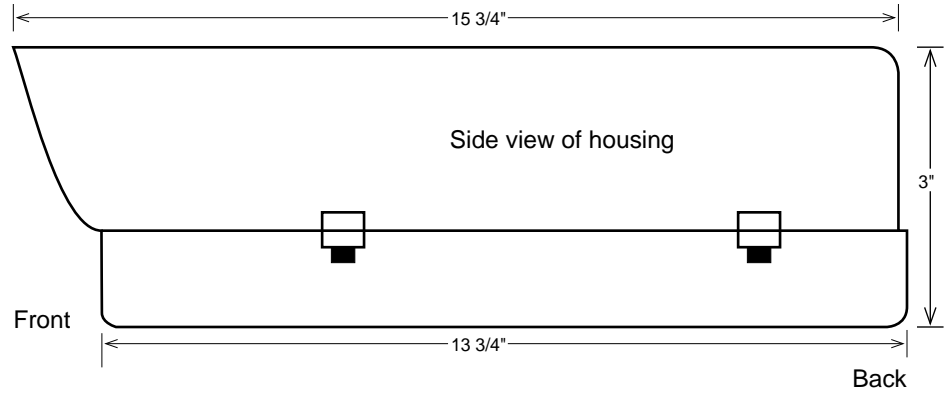
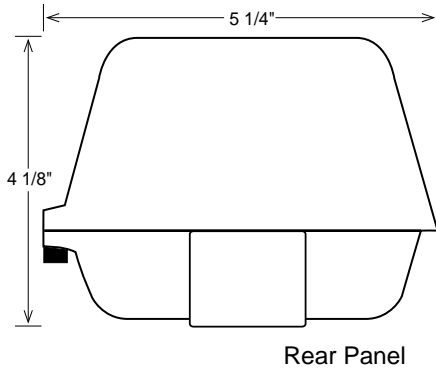
- ☞ Environmentally sealed
- ☞ All aluminum construction with Lexan plastic window
- ☞ Pre-installed heater/blower for all weather performance
- ☞ Camera easily accessible for service and installation

Accessories available include:

- ☞ CHM-1300 wall mount
- ☞ CHM-1300CP wall mount with cable pass
- ☞ CHM-1300PA pole adapter

 **CREST**
ELECTRONICS INC
Video Security Since 1974

Product Data: CH-1300 Series Environ. Housing & Mounts



Model Number	CH-1300
Body Material	10 gauge aluminum alloy
Finish	White polyurethane coating
Window Material	3/16" clear polycarbonate
Locking Devices	2 zinc plated allen head screws
External Dimensions	5 1/4"w x 4 1/8"h x 15 3/4"l
Internal Dimensions	3 1/2"w x 2 7/8"h x 10"l
Window Dimensions	2 3/4"w x 2 3/8"h x 0.18" thick
Weight	4.2 lbs

Specifications subject to change

