

CJ-2712C

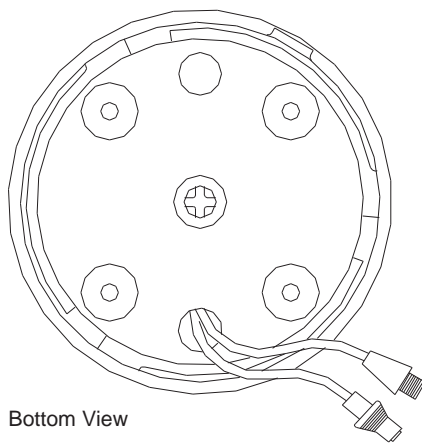
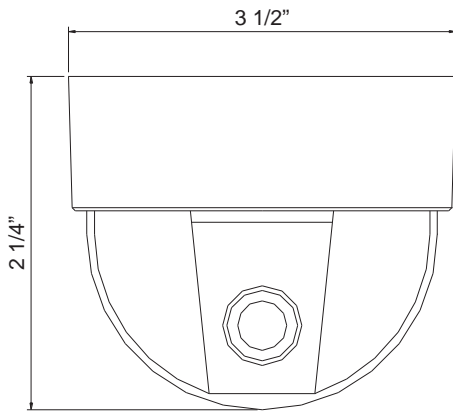
1/3" Color Indoor Dome Camera



- Compact size – 3 1/2" dia x 2 1/4" h
- 380 lines of resolution
- 0.25 lux with f2.0 lens
- 3.6mm macro focus lens
- Hi-speed auto electronic shutter – up to 1/100,000
- Auto gain control
- Auto white balance
- Aesthetic polycarbonate construction

 **CREST**
ELECTRONICS INC
Video Security Since 1974

Product Data: CJ-2712C 1/3" Color Indoor Dome Camera



Model Number	CJ-2712C
Image Pick-Up Device	1/3" Sharp CCD
Effective Picture Elements	NTSC: 510x492 (HxV)
Horizontal Resolution	380 TV Lines
Minimum Illumination	0.25 Lux @ F2.0
S/N Ratio	More than 48dB
Auto Electronic Shutter	NTSC: 1/60-1/100,000s, ON/OFF switchable
Gamma Characteristic	0.45
Lens Furnished	Board lens 3.6mm
Auto Gain Control	Automatic
Auto White Balance	Yes (2500K~9500K)
Scanning System	Interlace 2:1
Synchronous System	Internal, negative sync
Video Output	1 Vp-p / 75 ohms
Power Supply	DC 12v +/-10% / 120mA
Operating Temperature	14 ~ 122°F
Dimensions	3 1/2" dia x 2 1/4" h

Model Number	CJ-2712C
Image Pick-Up Device	1/3" Sharp CCD
Effective Picture Elements	NTSC: 510x492 (HxV)
Horizontal Resolution	380 TV Lines
Minimum Illumination	0.25 Lux @ F2.0
S/N Ratio	More than 48dB
Auto Electronic Shutter	NTSC: 1/60-1/100,000s, ON/OFF switchable
Gamma Characteristic	0.45
Lens Furnished	Board lens 3.6mm
Auto Gain Control	Automatic
Auto White Balance	Yes (2500K~9500K)
Scanning System	Interlace 2:1
Synchronous System	Internal, negative sync
Video Output	1 Vp-p / 75 ohms
Power Supply	DC 12v +/-10% / 120mA
Operating Temperature	14 ~ 122°F
Dimensions	3 1/2" dia x 2 1/4" h

Specifications subject to change

