

CJ-2612C Color Bullet Camera

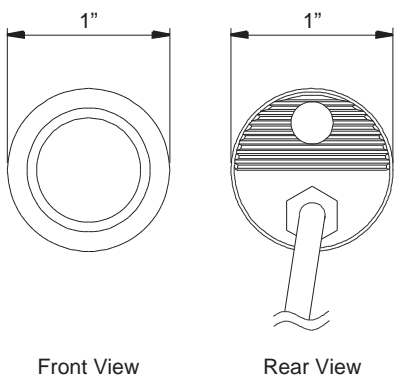


- 1/3" CCD Sharp image sensor
- 420 lines of resolution
- 1.0 lux with f1.2 lens
- Automatic electronic shutter
- Automatic gain control
- 12vdc
- Built-in 3.6mm macro focus lens
- Includes swivel mount
- 1" dia x 2 3/4" L



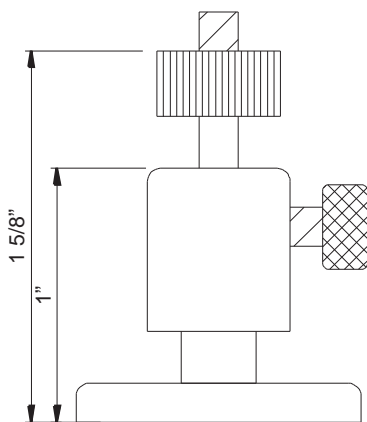
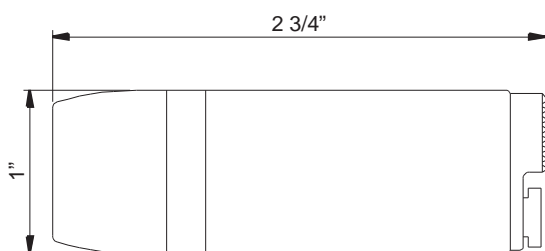
CREST
ELECTRONICS INC
Video Security Since 1974

Product Data: CJ-2612C Color Bullet Camera



Front View

Rear View



Mounting Bracket

Model Number	CJ-2612C
Product Description	Color Bullet Camera
Image Pick-Up Device	1/3" CCD Sharp
Effective Picture Elements	510 x 492
Horizontal Resolution	420 TV Lines
Minimum Illumination	1.0 Lux @ F1.2
S/N Ratio	More than 48dB
Auto Electronic Shutter	NTSC: 1/60-1/100,000s
Auto Gain Control	Yes
Auto White Balance	Yes (2500-9500K)
Gamma Characteristic	0.45
Lens Furnished	Board lens 3.6mm / F2.0
Synchronous System	Internal, negative sync
Video Output	1 Vp-p / 75 ohms, BNC connector
Power Supply	DC 12v +/-10% / 120mA
Power Consumption	1.5w
Operating Temperature	14 ~ 122°F
Dimensions	1" dia x 2 3/4" L

Model Number	CJ-2612C
Product Description	Color Bullet Camera
Image Pick-Up Device	1/3" CCD Sharp
Effective Picture Elements	510 x 492
Horizontal Resolution	420 TV Lines
Minimum Illumination	1.0 Lux @ F1.2
S/N Ratio	More than 48dB
Auto Electronic Shutter	NTSC: 1/60-1/100,000s
Auto Gain Control	Yes
Auto White Balance	Yes (2500-9500K)
Gamma Characteristic	0.45
Lens Furnished	Board lens 3.6mm / F2.0
Synchronous System	Internal, negative sync
Video Output	1 Vp-p / 75 ohms, BNC connector
Power Supply	DC 12v +/-10% / 120mA
Power Consumption	1.5w
Operating Temperature	14 ~ 122°F
Dimensions	1" dia x 2 3/4" L

Specifications subject to change

